

ELECTRICAL:

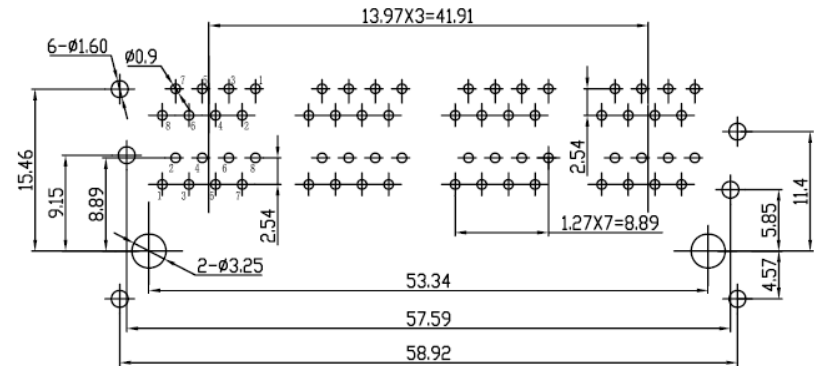
- | | |
|--------------------------|------------------------------------|
| 1. VOLTAGE RATING | : 125 VAC RMS. |
| 2. CURRENT RATING | : 1.5 AMP. |
| 3. CONTACT RESISTANCE | : 30 MILLIOHMS MAX. |
| 4. INSULATION RESISTANCE | : 500 MEGOHMS MIN @ 500 VDC. |
| 5. DIELECTRIC STRENGTH | : 1000 VAC RMS 50Hz or 60Hz, 1MIN. |

MECHANICAL:

- | | |
|------------------------------|-------------------------------------------------------------|
| 1. HOUSING & INSERT MATERIAL | : PBT UL94V-0. |
| 2. CONTACT MATERIAL | : DIAMETER 0.45MM PHOSPHOR BRONZE GOLD PLATING OVER NICKEL. |
| 3. SHIELD | : 0.20 ~ 0.25MM THICKNESS BRASS WITH NICKEL PLATED. |
| 4. MATING/UNMATING FORCE | : 2.2KG.F MAX. |
| 5. RETENTION STRENGTH | : 7.7KG.F MIN BETWEEN JACK AND PLUG. |
| 6. OPERATING LIFE | : 600 CYCLES MIN. |

ENVIRONMENTAL:

- | | |
|--------------|----------------------------------------|
| 1. STORAGE | : -10°C ~ +40°C RELATIVE HUMIDITY<70%. |
| 2. OPERATION | : -40°C ~ +85°C. |



PC Board Layout

Part code: JP-24-S

Description: RJ45 2x4 Dual/stacked jack with shield 28mm